

CENTRIFUGAL FAN

Backward curved | 190 \ 220



Brushless DC Motor Centrifugal Fan



310VDC High-Voltage-Driven

Built-in with 310VDC-driven controller, which reduces energy loss by 10-15% compared with ordinary DC motors, and doesn't need additional DC-DC adapters that takes extra spaces.



Smart Home & IoT

Built-in controller is able to be connected with multiple sensors and receive interface signals to realize smart home & IOT functionalities by different control methods.

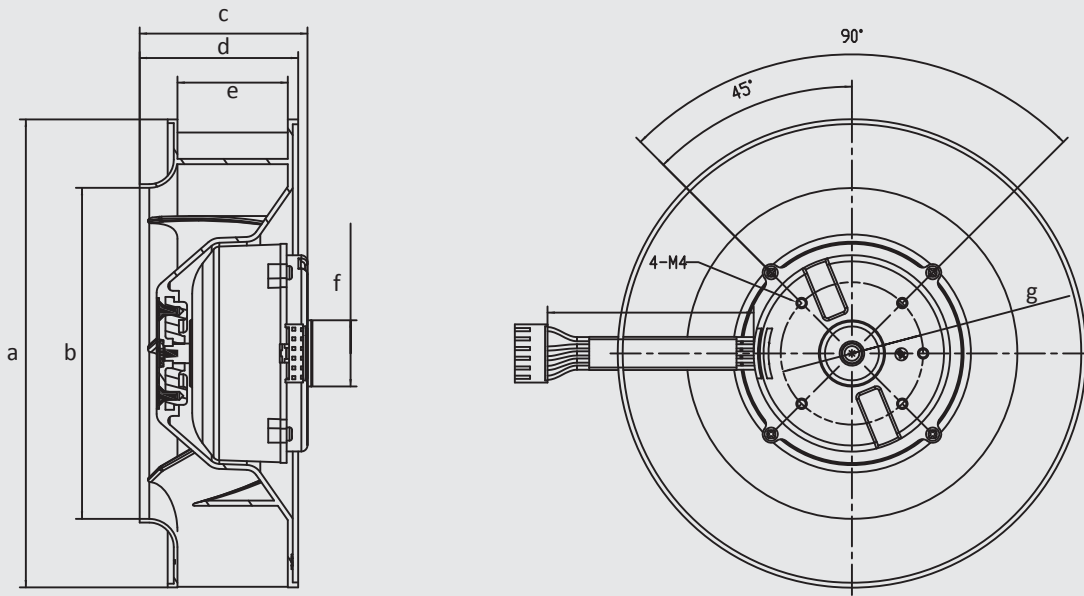


Specially Designed for Homes

Genese fans are specially designed for home appliances like air purifiers and range hoods with special care on its static pressure, noise level and compatibility to AC model replacements.

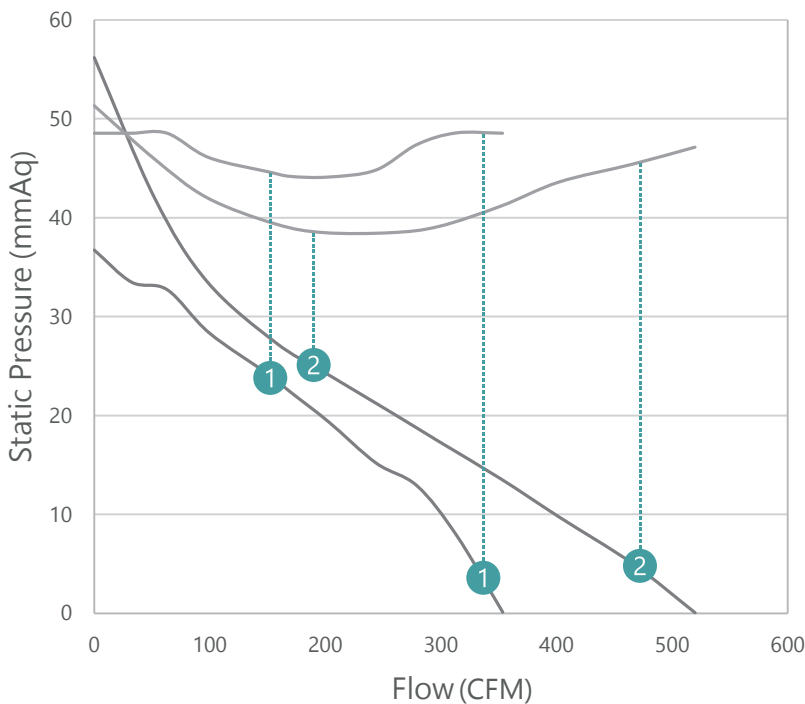
GREEN PRECISE DURABLE

TECHNICAL SPECIFICATION



(mm)	a	b	c	d	e	f	g
DCF190077	190.8	135	68.4	64.6	45	27	58
DCF220077	220	160	76	66	46	27	58

Fan	Input VAC	Control VDC	Power W	Max. Flow CFM	Max. Noise dB(A)	Type	Phase	Bearing
DCF190077	220VAC	310VDC	45	350 ±5%	72	Sensorless	3	Ball
DCF220077	220VAC	310VDC	60	515 ±5%	75	Sensorless	3	Ball



	mmAq	CFM	RPM
1	22.39	169.51	2576
	7.87	313.52	2833
2	24.37	198.98	2246
	5.01	465.96	2650

